

# SD80

## VERTICAL FEED MIXERS SINGLE AUGERS SD80

### About Product

Our vertical machine, SD80 model, makes your feed ready very fast by the support of the wide spiral structure and heat-treated blades. It is the best chosen by those who want perfection in terms of homogeneity and durability.

### Optional Features

- ▶ Magnet
- ▶ Electric Motor 22 Kw 1000 Rpm
- ▶ Weighing System
- ▶ Loading Bucket
- ▶ Hydraulic jack
- ▶ Step Gearbox
- ▶ Top Supplement
- ▶ Hydraulically assisted compactor ax
- ▶ Electric remote control

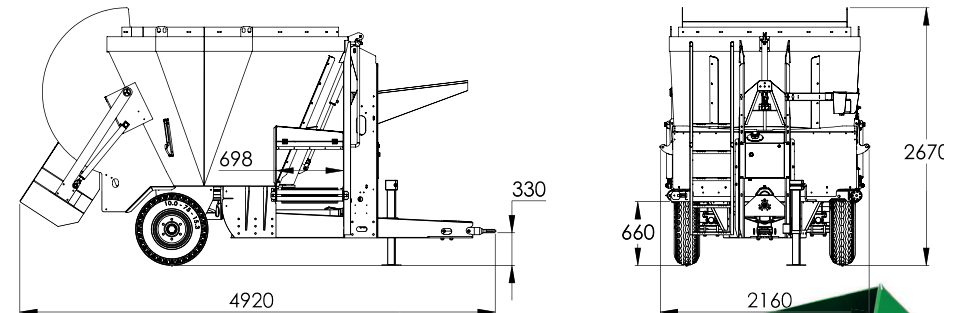
STANDARD FEATURES	
CAPACITY	8m <sup>3</sup>
MIXING SYSTEM	Single Auger
NUMBER OF BLADES	11+1
MIN. POWER REQUIREMENT	70 HP
PTO TRANSFER	540 Rpm
TRANSMISSION TYPE	Planet
AUGER SPEED	43.9 Rpm
WHEEL SIZE	11.5x80x15.3
LOADING BUCKET CAPACITY	100 Kg
FEED DISCHARGE DIRECTION	Standard (front)
JACK	Mechanic
CONVEYOR BELT	Optional
JAMMING AX	Manuel
EXCHANGE RATIOS	12.3

STANDARD FEATURES	
LENGHT	5140 mm
HEIGHT	2710 mm
WIDHT	2400 mm
BODY SHEET	6 mm
BASE PLATE	20 mm
EMPTY WEIGHT	3270 kg
FULL WEIGHT	6000 kg

*Depending on added options, the specified features can be change.*

CAPACITY	MINIMUM POWER	AUGER SPEED	NUMBER OF BLADES
<b>8m<sup>3</sup></b>	<b>70hp</b>	<b>43.9 Rpm</b>	<b>11+1</b>

Pto speed 540 rpm / calculated according minute.



VERTICAL FEED MIXERS