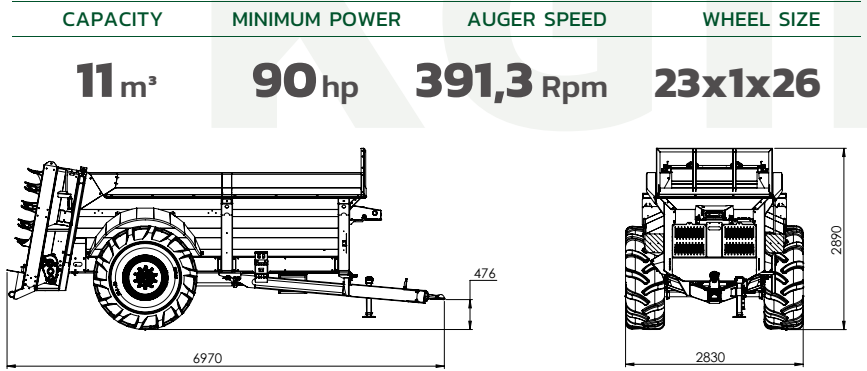


MANURE SPREADER MACHINES **KG11**

Features	Values
CAPACITY	11 m ³
MIN. POWER REQUIREMENT	100 HP
AUGER SYSTEM	2 Ad
AUGER SPEED	391,3 Rpm
NUMBER OF BLADES	48 Ad
WHEEL SIZE	23x1x26
NUMBER OF AXLES	Tek
SPREADING WIDTH	20 m
PTO SPEED	540 devir/dk
LENGHT	6970 mm
HEIGHT	2890 mm
WIDHT	2830 mm
BODY SHEET	4 mm
BASE PLATE	3 mm
EMPTY WEIGHT	3750 kg
DOLU AĞIRLIK	10750 kg

- The specified features vary depending on the added options.



About Product

The izelmak KG11 Manure Spreader, with its 11 m³ capacity, is ideal for medium-sized agricultural fields. With auger and adapter options, it distributes manure evenly and homogeneously. Its durable structure, easy maintenance, and high efficiency ensure fast, economical, and effective fertilization.

